

ACA MANUAL VALVE

ABSOLUTE CHEMICAL APPLICATION- FLARE CONNECTION TYPE

OVERVIEW

ACA Manual valve is made only of Fluoropolymer material and is designed to generate optimal performance in handling high-purity chemicals.

FEATURES

1. Based on GCA valve design
2. Suitable for handling strong acid and for preventing discoloration of non-flow stream components from chemical fume. Key parts are made of PFA material- valve body, bonnet, and fitting nut
3. Bonnet Lock and fitting Nut Lock stabilize and prevent loosening of valve components adding additional safety
4. Visually identifiable on and off indicator for precise valve operation



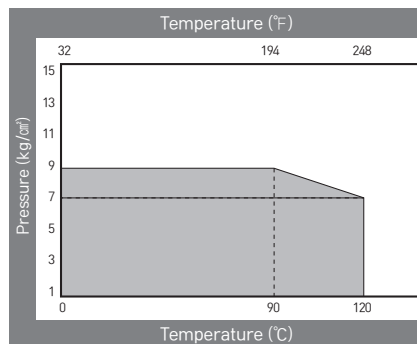
Standard Flare Type Size
1/4" ~ 1"

TECHNICAL DATA

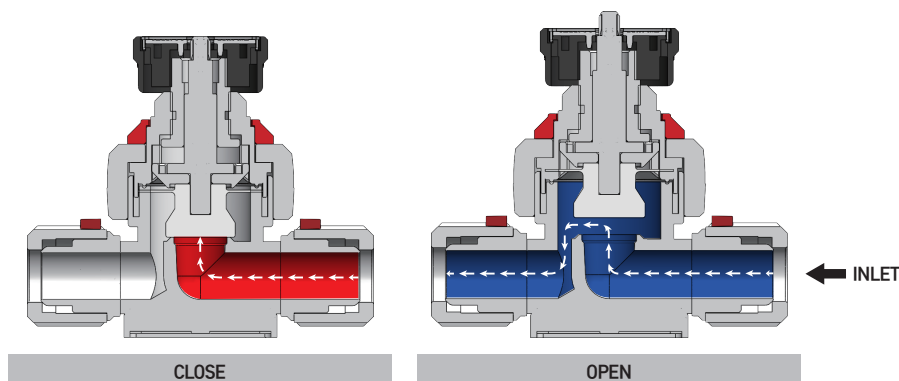
Actuator Type	Manual Handle Operation
Connection Type	E&B Flare Connection
Configuration	2-Way Flow / Orifice

Model Number	Size	Orifice	Cv	Port Configuration
AMV-F-04	1/4"	4.5	0.5	1/4" Flare Connection
AMV-F-06	3/8"	6.9	1.1	3/8" Flare Connection
AMV-F-08	1/2"	10	1.8	1/2" Flare Connection
AMV-F-12	3/4"	16.4	5.8	3/4" Flare Connection
AMV-F-16	1"	22.8	11	1" Flare Connection

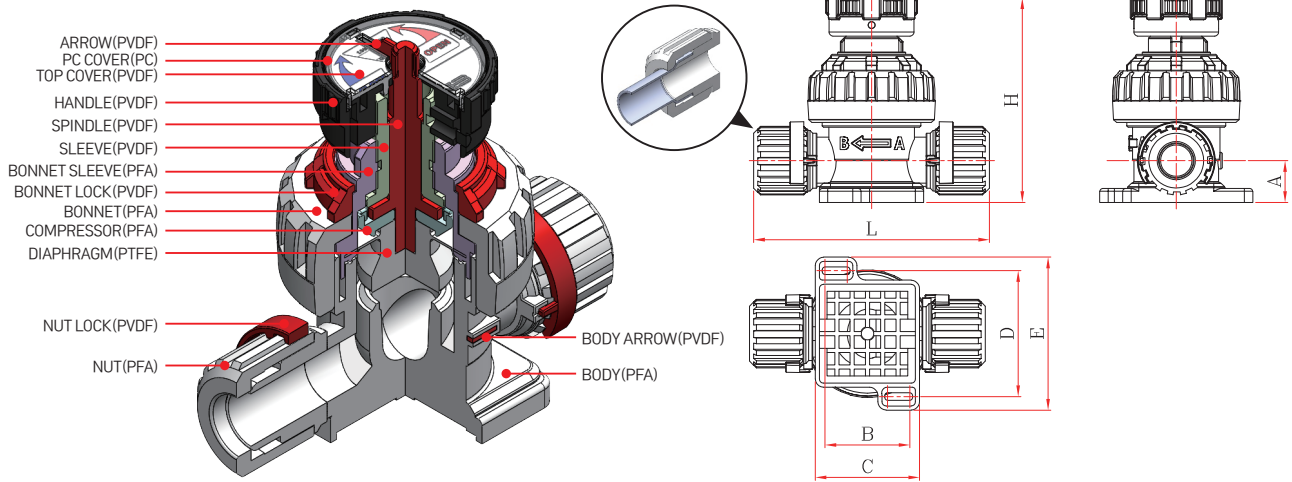
Operating Temperature	Operating Pressure
0 ~ 90 °C	9kg/cm ² (0.9Mpa)
90 ~ 120 °C	7kg/cm ² (0.7Mpa)



2-WAY FLOW PATTERNS



MATERIAL CONSTRUCTION & DIMENSION TABLE



Size	A	H	L	B	C	D	E
1/4"	0.71"(18mm)	3.64"(92.5mm)	4.41"(112mm)	1.14"(29mm)	1.61"(41mm)	1.89"(48mm)	2.48"(63mm)
3/8"	0.71"(18mm)	3.64"(92.5mm)	4.59"(116.5mm)	1.14"(29mm)	1.61"(41mm)	1.89"(48mm)	2.48"(63mm)
1/2"	0.87"(22mm)	4.21"(107mm)	5.00"(127mm)	1.34"(34mm)	1.81"(46mm)	2.17"(55mm)	2.76"(70mm)
3/4"	1.18"(30mm)	5.28"(134mm)	5.75"(146mm)	1.73"(44mm)	2.24"(57mm)	2.56"(65mm)	3.15"(80mm)
1"	1.18"(30mm)	5.79"(147mm)	6.67"(169.5mm)	2.40"(61mm)	2.95"(75mm)	3.56"(90.5mm)	4.33"(110mm)

HOW TO ORDER

Type	CODE
------	------

ACA MANUAL VALVE AMV

Connection	CODE
------------	------

FLARE F

SIZE	CODE
------	------

1/4" 04
3/8" 06
1/2" 08
3/4" 12
1" 16

Example : AMV-F-16

AMV	ACA MANUAL VALVE
F	FLARE
16	1"

“ SMART VALUE OPERATION PRODUCT LINE UP ”

E&IB (Extrusion & Injection, Basic Co., Ltd) Corporate Mission :

E&IB is to become a key provider of safe, high performance, and advanced technology device and components for fluid management systems and applications that meet or exceed the needs and requirements of global customers.

65-59, Ucheonje2nongongdanji-ro, Ucheon-Myeon,
Hoengseong-gun, Gangwon-do, Republic of Korea
Customer Service Tel : +82 033 345 8836
Customer Fax : +82 345 8837
www.enib.co.kr