

GCA MANUAL VALVE

GENERAL CHEMICAL APPLICATION- FLARE CONNECTION TYPE

OVERVIEW

GCA Manual valve is made only of fluoropolymer material and is designed to generate optimal performance in handling high-purity chemicals

FEATURES

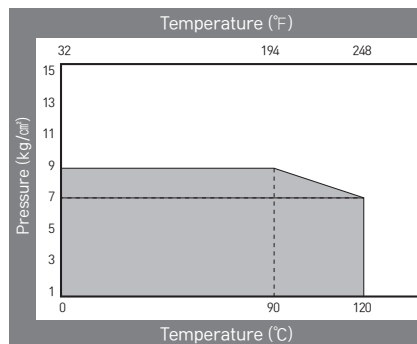
1. Made only of high-purity Fluoropolymer material and is designed to generate optimal performance in handling high-purity chemicals.
2. Bonnet is screwed onto the body (All-in-one assembly) to prevent valve deformation and improve airtightness.
3. The Bonnet Lock and fitting Nut Lock stabilize and prevent loosening of valve components adding additional safety.
4. Visually identifiable on and off indicator for precise valve operation

TECHNICAL DATA

| | |
|------------------------|-------------------------|
| Actuator Type | Manual Handle Operation |
| Connection Type | E&B Flare Connection |
| Configuration | 2-Way Flow / Orifice |

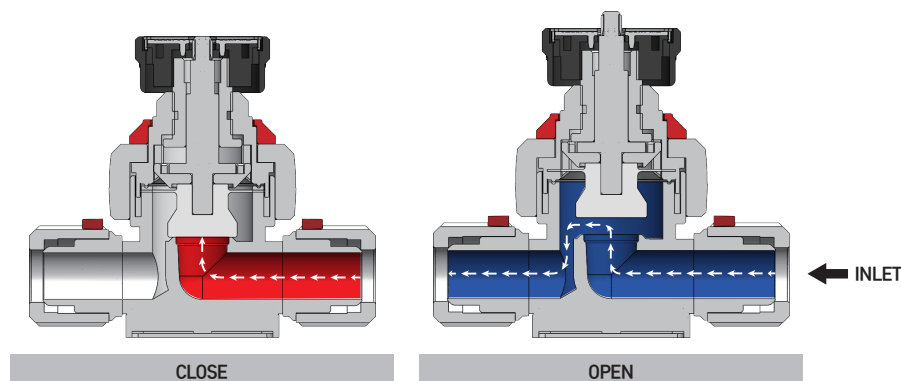
| Model Number | Size | Orifice | Cv | Port Configuration |
|--------------|------|---------|-----|-----------------------|
| GMV-F-04 | 1/4" | 4.5 | 0.5 | 1/4" Flare Connection |
| GMV-F-06 | 3/8" | 6.9 | 1.1 | 3/8" Flare Connection |
| GMV-F-08 | 1/2" | 10 | 1.8 | 1/2" Flare Connection |
| GMV-F-12 | 3/4" | 16.4 | 5.8 | 3/4" Flare Connection |
| GMV-F-16 | 1" | 22.8 | 11 | 1" Flare Connection |

| Operating Temperature | Operating Pressure |
|-----------------------|------------------------------|
| 0 ~ 90 °C | 9kg/cm ² (0.9Mpa) |
| 90 ~ 120 °C | 7kg/cm ² (0.7Mpa) |

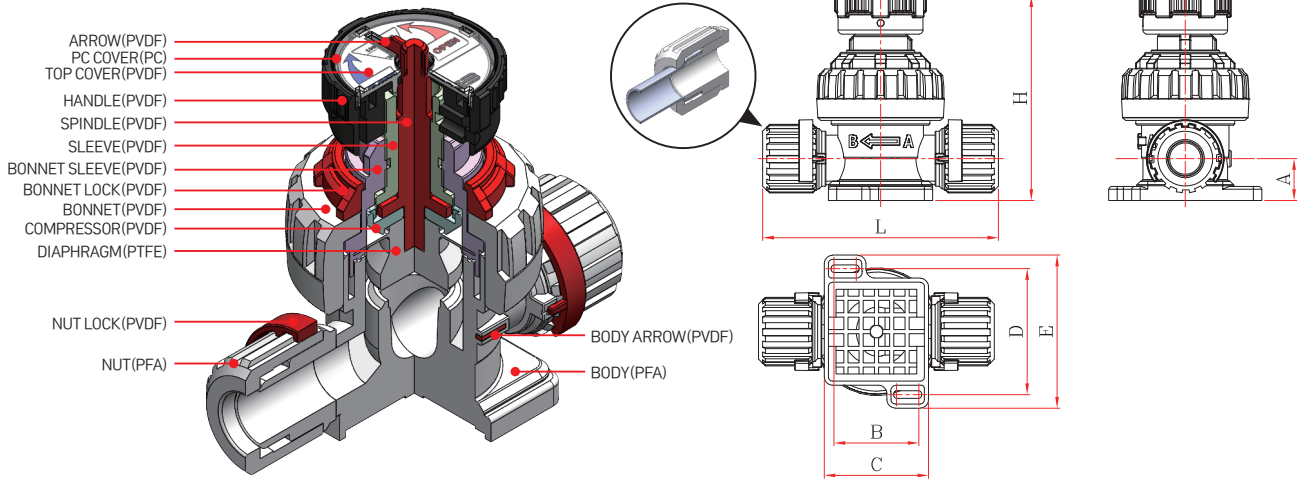


Flare Type Size
1/4" ~ 1"

2-WAY FLOW PATTERNS



MATERIAL CONSTRUCTION & DIMENSION TABLE



| Size | A | H | L | B | C | D | E |
|------|-------------|---------------|----------------|-------------|-------------|---------------|--------------|
| 1/4" | 0.71"(18mm) | 3.64"(92.5mm) | 4.41"(112mm) | 1.14"(29mm) | 1.61"(41mm) | 1.89"(48mm) | 2.48"(63mm) |
| 3/8" | 0.71"(18mm) | 3.64"(92.5mm) | 4.59"(116.5mm) | 1.14"(29mm) | 1.61"(41mm) | 1.89"(48mm) | 2.48"(63mm) |
| 1/2" | 0.87"(22mm) | 4.21"(107mm) | 5.00"(127mm) | 1.34"(34mm) | 1.81"(46mm) | 2.17"(55mm) | 2.76"(70mm) |
| 3/4" | 1.18"(30mm) | 5.28"(134mm) | 5.75"(146mm) | 1.73"(44mm) | 2.24"(57mm) | 2.56"(65mm) | 3.15"(80mm) |
| 1" | 1.18"(30mm) | 5.79"(147mm) | 6.67"(169.5mm) | 2.40"(61mm) | 2.95"(75mm) | 3.56"(90.5mm) | 4.33"(110mm) |

HOW TO ORDER

| Type | CODE |
|------|------|
|------|------|

GCA MANUAL VALVE GMV

| Connection | CODE |
|------------|------|
|------------|------|

FLARE F

| SIZE | CODE |
|------|------|
|------|------|

1/4" 04
3/8" 06
1/2" 08
3/4" 12
1" 16

Example : GMV-F-16

| | |
|-----|------------------|
| GMV | GCA MANUAL VALVE |
| F | FLARE |
| 16 | 1" |

“ SMART VALUE OPERATION PRODUCT LINE UP ”

E&IB (Extrusion & Injection, Basic Co., Ltd) Corporate Mission :

E&IB is to become a key provider of safe, high performance, and advanced technology device and components for fluid management systems and applications that meet or exceed the needs and requirements of global customers.

65-59, Ucheonje2nongongdanji-ro, Ucheon-Myeon,
Hoengseong-gun, Gangwon-do, Republic of Korea
Customer Service Tel : +82 033 345 8836
Customer Fax : +82 345 8837
www.enib.co.kr