



Extrusion & Injection, Basic

CHECK VALVE

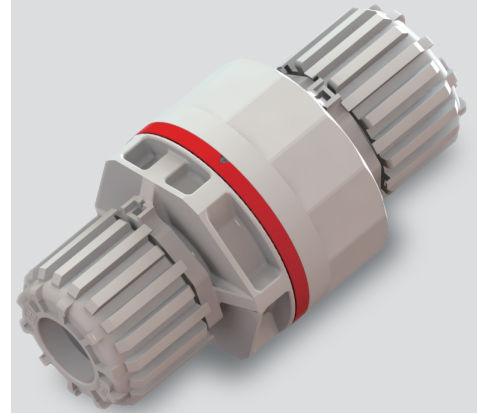
OVERVIEW

Check Valve는 불소수지만을 사용하여 제작되었으며, 유체의 역류를 방지하기 위해 설계된 제품입니다.

ENIB Check Valve is manufactured using only fluorine resin. The product is designed to prevent chemical backflow.

FEATURES

1. 고순도의 불소수지 재질로만 제작, Chemical 적용시 오염 및 부식이 발생하지 않는다.
2. 진공에 의한 변형 방지형 Cone Type Disc를 사용
3. 안전장치인 Steady Lock 구성, Nut Lock 구성 / 임의의 풀림 방지
1. Manufactured only with high-purity fluororesin materials, which prevents contamination and corrosion.
2. The cone shaped disk prevents deformation from vacuum pressure.
3. Steady Lock and Nut Lock prevents accidental loosening of the valve assembly.

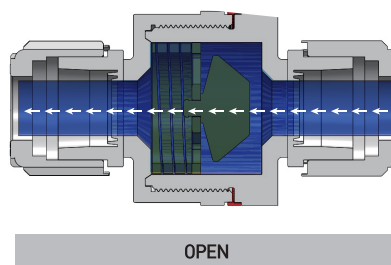
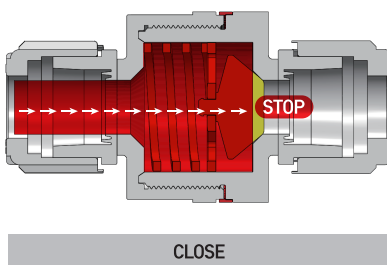


TECHNICAL DATA

Connection Type	ENIB Ferrule or Flare Connection Pipe Connection
Configuration	2-Way Flow
Cracking Pressure	0.01~0.05bar
Operating Temperature	0 ~ 120°C

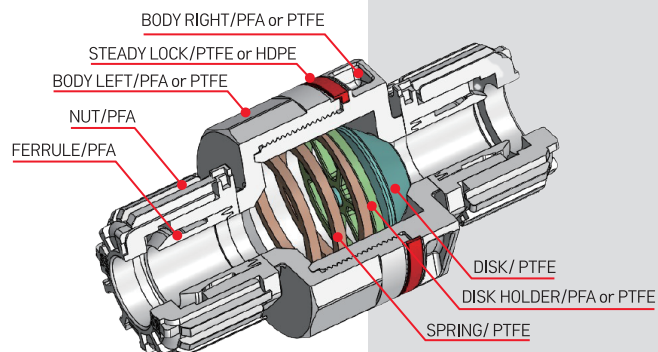
Cv Data	Size	CV
	1/4"	0.56
	3/8"	1.58
	1/2"	3.2
	3/4"	7.5
	1"	14.57
	1-1/4"	22.89
	1-1/2"	28.09
	2"	52.78

2-WAY FLOW PATTERNS

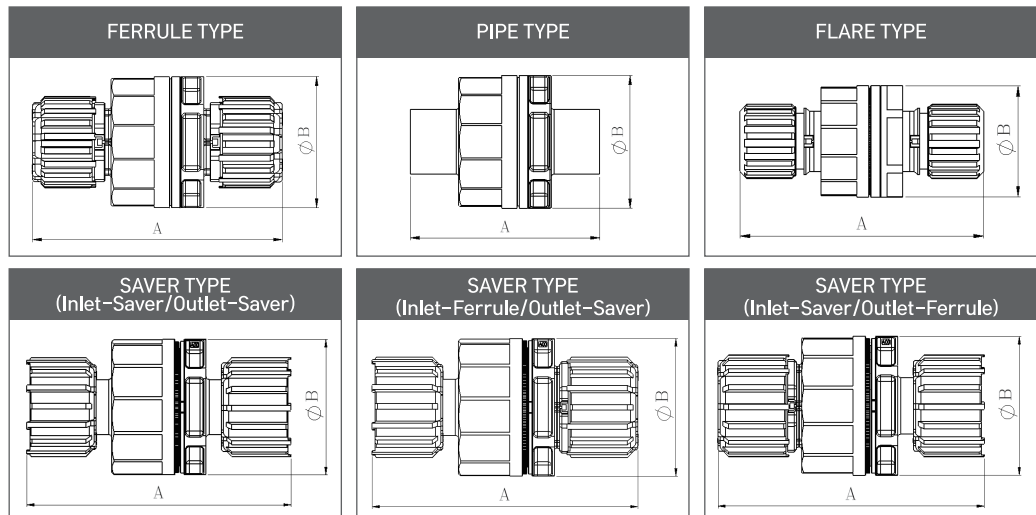


MATERIAL CONSTRUCTION

Body	High Purity PFA or Modified PTFE
DISK	Modified PTFE
Other Parts	PTFE, HDPE



DIMENSION



FERRULE TYPE (PFA BODY)

unit : mm

Size	A	H
1/4"	100	40
3/8"	110	40
1/2"	115	40
3/4"	136	57
1"	159	73
1-1/4"	197	99
1-1/2"	199	99
2"	248.5	124.5

PIPE, SPACE SAVER TYPE (PFA BODY)

unit : mm

Size	A	H
15A	134	57
20A	143	73
25A	150	81
40A	177.5	124.5
50A	177.5	124.5
2" (IN, OUT SAVER)	256.5	124.5
2" (IN SAVER)	252.5	124.5
2" (OUT SAVER)	252.5	124.5

FLARE TYPE (PFA BODY)

unit : mm

Size	A	H
1/4"	120	40
3/8"	122.5	40
1/2"	127.5	40
3/4"	148	57
1"	170	73

FLARE TYPE (PTFE BODY)

unit : mm

Size	A	H
1/4"	109	40
3/8"	114.5	40
1/2"	118	40
3/4"	135.5	57
1"	169.5	73

HOW TO ORDER

Type	CODE
CHECK VALVE	CV
Connection	CODE
FLARE / FINE THREAD	FF
SIZE	CODE
1/4"	04
3/8"	06
1/2"	08
3/4"	12
1"	16
MODEL	CODE
PTFE BODY	A
PFA BODY	B

HOW TO ORDER

Type	CODE
CHECK VALVE	CV
Connection	CODE
FERRULE	FR
SIZE	CODE
1/4"	04
3/8"	06
1/2"	08
3/4"	12
1"	16
1-1/4"	20
1-1/2"	24
2"	32
2" (IN-SAVER/OUT-FERRULE)	32S32
2" (IN-FERRULE/OUT-SAVER)	3232S
2" (IN-SAVER/OUT-SASVER)	32S32S
MODEL	CODE
PFA BODY	B

HOW TO ORDER

Type	CODE
CHECK VALVE	CV
Connection	CODE
PIPE	P
SIZE	CODE
15A	15
20A	20
25A	25
40A	40
50A	50
MODEL	CODE
PFA BODY	B

Example : CV-FF-16-B

CV	CHECK VALVE
FF	Flare / Fine Thread
16	1"
B	PFA BODY

MODEL	CODE
PFA BODY	B