



ENIB Co., Ltd.

CT MANUAL VALVE

CROSS TEE VALVE- FERRULE CONNECTION TYPE

OVERVIEW

CT Manual valve is made only of fluoropolymer material and is designed to generate optimal performance in handling high-purity chemicals

FEATURES

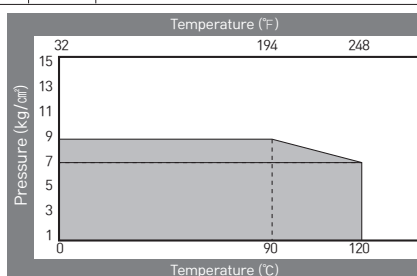
1. CT Valve secures safety by removing the LEAK POINT with the integral injection structure of the valve body and fitting tee.
2. CT Valve has multiple connections (Main Line, Sub Line), so space utilization is high, and piping configuration can be simplified.
3. Bonnet Lock and fitting Nut Lock stabilize and prevent loosening of valve components adding additional safety
4. Visually identifiable on and off indicator for precise valve operation
5. Suitable for piping unit configuration design

TECHNICAL DATA

Actuator Type	Manual Handle Operation
Connection Type	ENIB Ferrule Connection
Configuration	3-Way Flow / Orifice

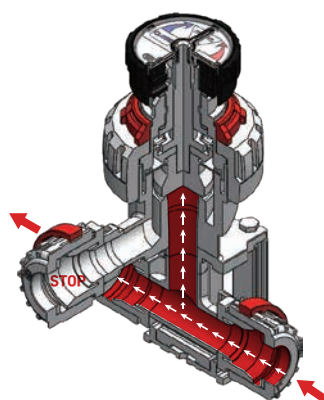
Model Number	Size	Orifice	Cv Max	Port Configuration
CT-GMV-FR-120812	3/4"*1/2"*3/4"	22.8	3.32	3/4"*1/2"*3/4" Ferrule Connection
CT-GMV-FR-121212	3/4"*3/4"*3/4"	22.8	6.36	3/4"*3/4"*3/4" Ferrule Connection
CT-GMV-FR-160816	1"*1/2"*1"	22.8	3.45	1"*1/2"*1" Ferrule Connection
CT-GMV-FR-161216	1"*3/4"*1"	22.8	7.35	1"*3/4"*1" Ferrule Connection
CT-GMV-FR-161616	1"*1"*1"	22.8	8.85	1"*1"*1" Ferrule Connection
CT-GMV-FR-240824	1-1/2"*1/2"*1-1/2"	22.8	3.41	1-1/2"*1/2"*1-1/2" Ferrule Connection
CT-GMV-FR-241224	1-1/2"*3/4"*1-1/2"	22.8	7.22	1-1/2"*3/4"*1-1/2" Ferrule Connection
CT-GMV-FR-241624	1-1/2"*1"*1-1/2"	22.8	9	1-1/2"*1"*1-1/2" Ferrule Connection
CT-GMV-FR-242424	1-1/2"*1-1/2"*1-1/2"	33.7	23.37	1-1/2"*1-1/2"*1-1/2" Ferrule Connection

Operating Temperature	Operating Pressure
0 ~ 90 °C	9kg/cm ² (0.9Mpa)
90 ~ 120 °C	7kg/cm ² (0.7Mpa)

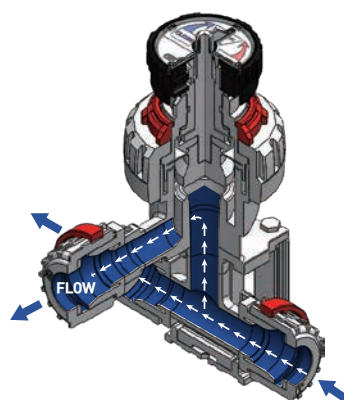


Ferrule Type Size
1/2", 3/4", 1", 1-1/2"

3-WAY FLOW PATTERNS



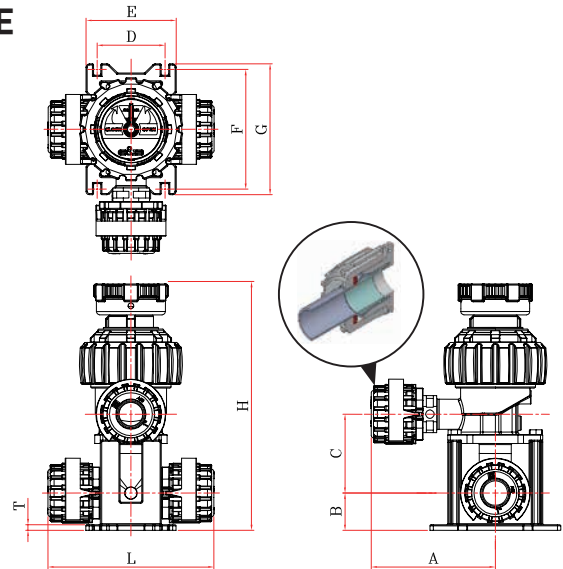
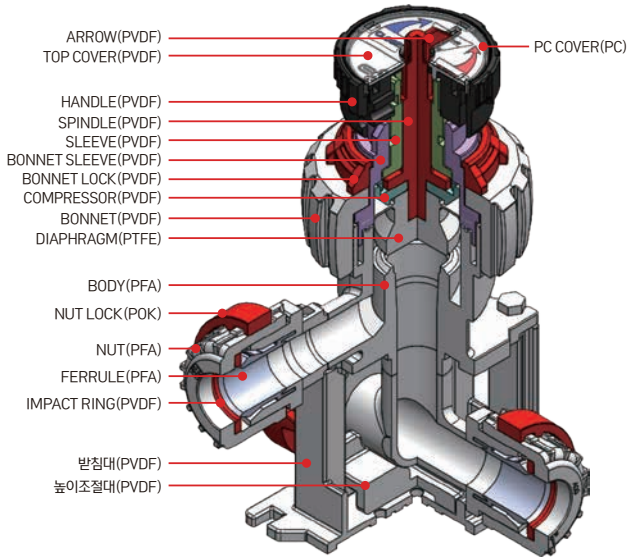
CLOSE



OPEN

Extrusion & injection, basic

MATERIAL CONSTRUCTION & DIMENSION TABLE



Size	L	H	A	B	C	D	E	F	G	T
3/4"×1/2"×3/4"	133	220	97	33	70	60	80	106	116	5
3/4"×3/4"×3/4"	133	220	103	33	70	60	80	106	116	5
1"×1/2"×1"	147	220	97	33	70	60	80	106	116	5
1"×3/4"×1"	147	220	103	33	70	60	80	106	116	5
1"×1"×1"	147	220	110	33	70	60	80	106	116	5
1-1/2"×1/2"×1-1/2"	174	228	97	41	70	60	80	106	116	5
1-1/2"×3/4"×1-1/2"	174	228	103	41	70	60	80	106	116	5
1-1/2"×1"×1-1/2"	174	228	110	41	70	60	80	106	116	5
1-1/2"×1-1/2"×1-1/2"	211	266.5	146	41	92.5	80	100	126	136	5

HOW TO ORDER

Product Name	CODE
CT Manual Valve	CT
Valve Type	CODE
GMV-GCA Type Manual Valve	GMV
Connection	CODE
FERRULE	FR
Flow Direction	CODE
3-WAY FLOW	3W

Example : CT-GMV-FR-3W-160816

CT	CT MANUAL VALVE
GMV	GCA TYPE MANUAL VALVE
FR	FERRULE
3W	3-WAY FLOW
160816	1"×1/2"×1"

SIZE	CODE
3/4"×1/2"×3/4"	120812
3/4"×3/4"×3/4"	121212
1"×1/2"×1"	160816
1"×3/4"×1"	161216
1"×1"×1"	161616
1-1/2"×1/2"×1-1/2"	240824
1-1/2"×3/4"×1-1/2"	241224
1-1/2"×1"×1-1/2"	241624
1-1/2"×1-1/2"×1-1/2"	242424

“ SMART VALUE OPERATION PRODUCT LINE UP ”

ENIB (Extrusion & Injection, Basic Co., Ltd) Corporate Mission :

ENIB is to become a key provider of safe, high performance, and advanced technology device and components for fluid management systems and applications that meet or exceed the needs and requirements of global customers.

62, BANSAN 2-RO, MUNMAK-EUP, WONJU-SI,
GANGWON-DO, REPUBLIC OF KOREA
Customer Service Tel : +82 033-743-9200
Customer Fax : +82 033-743-9201
www.enib.co.kr