



ENIB Co., Ltd.

# GCA MANUAL VALVE

GENERAL CHEMICAL APPLICATION- FERRULE CONNECTION TYPE

## OVERVIEW

GCA Manual valve is made only of fluoropolymer material and is designed to generate optimal performance in handling high-purity chemicals

## FEATURES

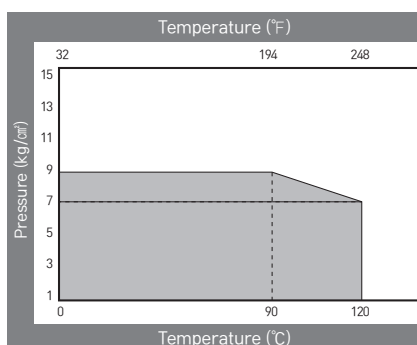
1. Made only of high-purity Fluoropolymer material and is designed to generate optimal performance in handling high-purity chemicals.
2. Bonnet is screwed onto the body(All-in-one assembly) to prevent valve deformation and improve airtightness.
3. The Bonnet Lock and fitting Nut Lock stabilize and prevent loosening of valve components adding additional safety.
4. Visually identifiable on and off indicator for precise valve operation

## TECHNICAL DATA

Actuator Type	Manual Handle Operation
Connection Type	ENIB Ferrule Connection
Configuration	2-Way Flow / Orifice

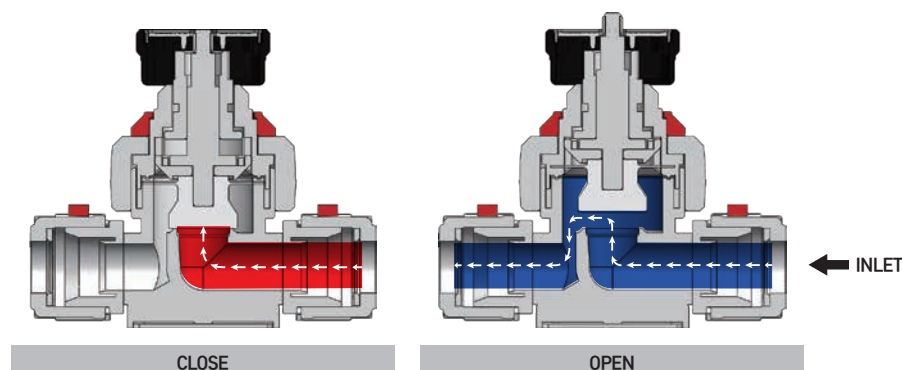
Model Number	Size	Orifice	Cv	Port Configuration
GMV-FR-04	1/4"	4.5	0.5	1/4" Ferrule Connection
GMV-FR-06	3/8"	6.9	1.1	3/8" Ferrule Connection
GMV-FR-08	1/2"	10	1.8	1/2" Ferrule Connection
GMV-FR-12	3/4"	16.4	5.8	3/4" Ferrule Connection
GMV-FR-16	1"	22.8	11	1" Ferrule Connection
GMV-FR-20	1-1/4"	28	14	1-1/4" Ferrule Connection

Operating Temperature	Operating Pressure
0 ~ 90 °C	9kg/cm <sup>2</sup> (0.9Mpa)
90 ~ 120 °C	7kg/cm <sup>2</sup> (0.7Mpa)

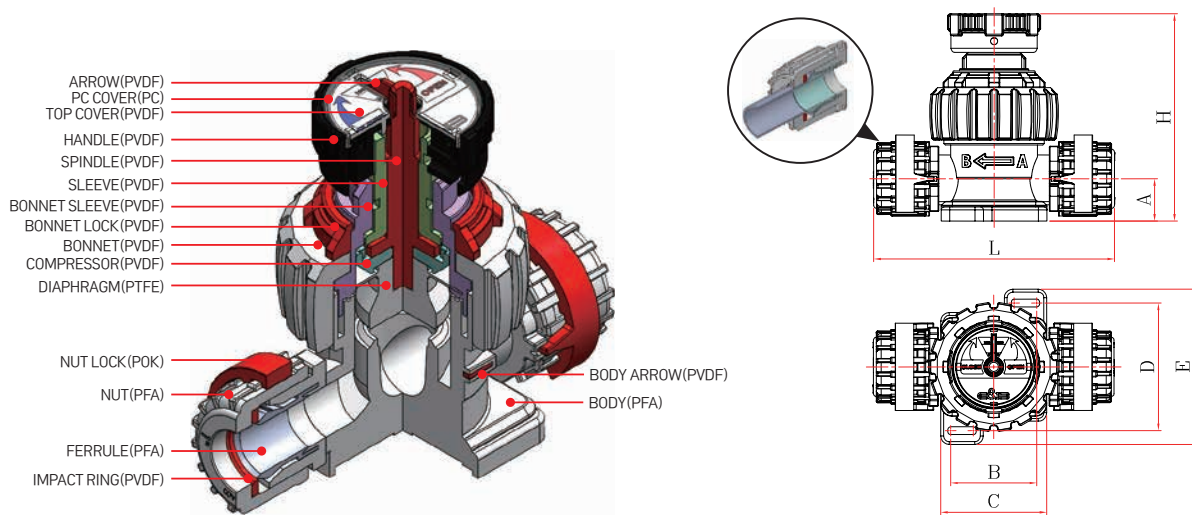


Standard Ferrule Type Size  
1/4" ~ 1-1/4"

## 2-WAY FLOW PATTERNS



## MATERIAL CONSTRUCTION & DIMENSION TABLE



Size	A	H	L	B	C	D	E
1/4"	0.71"(18mm)	3.64"(92.5mm)	3.94"(100mm)	1.14"(29mm)	1.61"(41mm)	1.89"(48mm)	2.48"(63mm)
3/8"	0.71"(18mm)	3.64"(92.5mm)	4.33"(110mm)	1.14"(29mm)	1.61"(41mm)	1.89"(48mm)	2.48"(63mm)
1/2"	0.87"(22mm)	4.21"(107mm)	4.74"(120.5mm)	1.34"(34mm)	1.81"(46mm)	2.17"(55mm)	2.76"(70mm)
3/4"	1.18"(30mm)	5.28"(134mm)	5.63"(143mm)	1.73"(44mm)	2.24"(57mm)	2.56"(65mm)	3.15"(80mm)
1"	1.18"(30mm)	5.79"(147mm)	6.71"(170.5mm)	2.40"(61mm)	2.95"(75mm)	3.56"(90.5mm)	4.33"(110mm)
1-1/4"	1.50"(38mm)	6.28"(159.5mm)	8.39"(213mm)	2.40"(61mm)	2.95"(75mm)	3.52"(89.5mm)	4.21"(107mm)

## HOW TO ORDER

Type	CODE
------	------

GCA MANUAL VALVE      GMV

Connection	CODE
------------	------

FERRULE      FR

SIZE	CODE
------	------

1/4"      04  
 3/8"      06  
 1/2"      08  
 3/4"      12  
 1"      16  
 1-1/4"      20

Example : GMV-FR-16

GMV	GCA MANUAL VALVE
FR	FERRULE
16	1"

## “ SMART VALUE OPERATION PRODUCT LINE UP ”

### ENIB (Extrusion & Injection, Basic Co., Ltd) Corporate Mission :

ENIB is to become a key provider of safe, high performance, and advanced technology device and components for fluid management systems and applications that meet or exceed the needs and requirements of global customers.

62, BANSAN 2-RO, MUNMAK-EUP, WONJU-SI,  
 GANGWON-DO, REPUBLIC OF KOREA  
 Customer Service Tel : +82 033-743-9200  
 Customer Fax : +82 033-743-9201  
[www.enib.co.kr](http://www.enib.co.kr)