



ENIB Co., Ltd.

GCA MANUAL VALVE

GENERAL CHEMICAL APPLICATION- FLARE CONNECTION TYPE

OVERVIEW

GCA Manual valve is made only of fluoropolymer material and is designed to generate optimal performance in handling high-purity chemicals

FEATURES

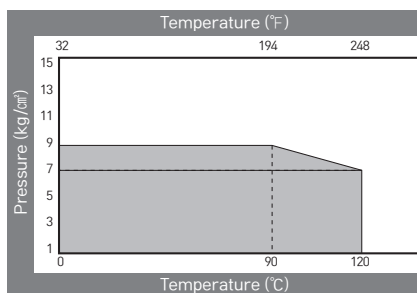
1. Made only of high-purity Fluoropolymer material and is designed to generate optimal performance in handling high-purity chemicals.
2. Bonnet is screwed onto the body (All-in-one assembly) to prevent valve deformation and improve airtightness.
3. The Bonnet Lock and fitting Nut Lock stabilize and prevent loosening of valve components adding additional safety.
4. Visually identifiable on and off indicator for precise valve operation

TECHNICAL DATA

Actuator Type	Manual Handle Operation
Connection Type	ENIB Flare Connection
Nut Type	Buttless Thread Type / Fine Thread Type
Configuration	2-Way Flow / Orifice

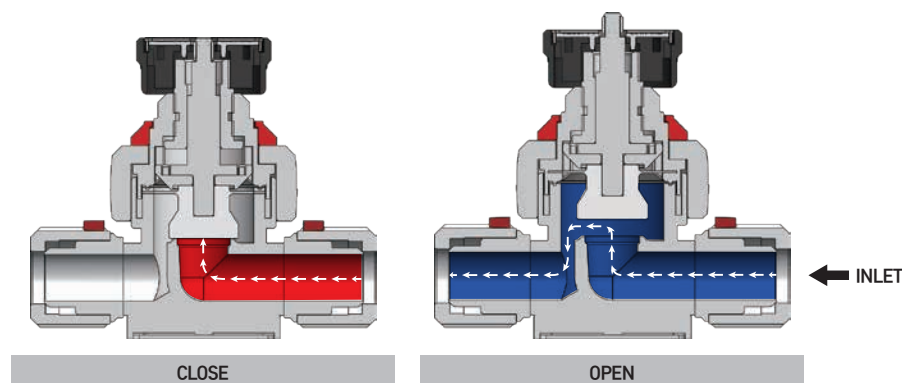
Model Number	Size	Orifice	Cv	Port Configuration	
Buttless Thread Type	GMV-F-04	1/4"	4.5	0.5	1/4" Flare Connection
	GMV-F-06	3/8"	6.9	1.1	3/8" Flare Connection
	GMV-F-08	1/2"	10	1.8	1/2" Flare Connection
	GMV-F-12	3/4"	16.4	5.8	3/4" Flare Connection
	GMV-F-16	1"	22.8	11	1" Flare Connection
Fine Thread Type	GMV-FF-04	1/4"	4.5	0.5	1/4" Flare Connection(Fine Thread)
	GMV-FF-06	3/8"	6.9	1.1	3/8" Flare Connection(Fine Thread)
	GMV-FF-08	1/2"	10	1.8	1/2" Flare Connection(Fine Thread)
	GMV-FF-12	3/4"	16.4	5.8	3/4" Flare Connection(Fine Thread)
	GMV-FF-16	1"	22.8	11	1" Flare Connection(Fine Thread)

Operating Temperature	Operating Pressure
0 ~ 90 °C	9kg/cm ² (0.9Mpa)
90 ~ 120 °C	7kg/cm ² (0.7Mpa)

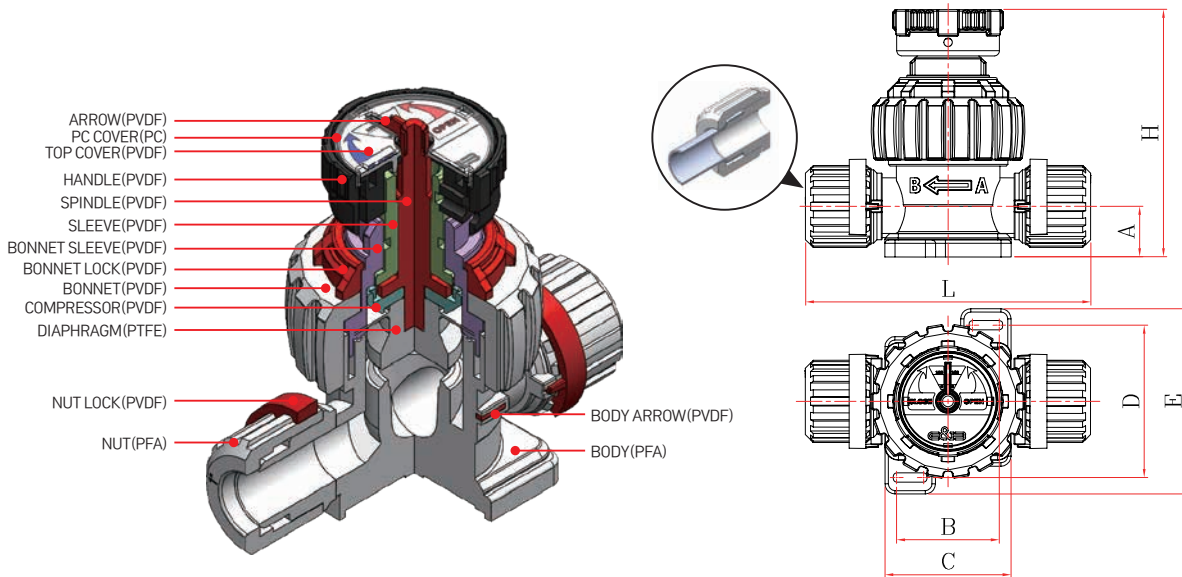


Flare Type Size
1/4" ~ 1"

2-WAY FLOW PATTERNS



MATERIAL CONSTRUCTION & DIMENSION TABLE



Size	A	H	L	B	C	D	E
1/4"	0.71"(18mm)	3.64"(92.5mm)	4.41"(112mm)	1.14"(29mm)	1.61"(41mm)	1.89"(48mm)	2.48"(63mm)
3/8"	0.71"(18mm)	3.64"(92.5mm)	4.59"(116.5mm)	1.14"(29mm)	1.61"(41mm)	1.89"(48mm)	2.48"(63mm)
1/2"	0.87"(22mm)	4.21"(107mm)	5.00"(127mm)	1.34"(34mm)	1.81"(46mm)	2.17"(55mm)	2.76"(70mm)
3/4"	1.18"(30mm)	5.28"(134mm)	5.75"(146mm)	1.73"(44mm)	2.24"(57mm)	2.56"(65mm)	3.15"(80mm)
1"	1.18"(30mm)	5.79"(147mm)	6.67"(169.5mm)	2.40"(61mm)	2.95"(75mm)	3.56"(90.5mm)	4.33"(110mm)

HOW TO ORDER

Type	CODE
GCA MANUAL VALVE	GMV

Connection	CODE
FLARE / BUTTLESS THREAD	F
FLARE / FINE THREAD	FF

SIZE	CODE
1/4"	04
3/8"	06
1/2"	08
3/4"	12
1"	16

Example : GMV-F-16

GMV	GCA MANUAL VALVE
F	FLARE / BUTTLESS THREAD
16	1"

“ SMART VALUE OPERATION PRODUCT LINE UP ”

ENIB (Extrusion & Injection, Basic Co., Ltd) Corporate Mission :

ENIB is to become a key provider of safe, high performance, and advanced technology device and components for fluid management systems and applications that meet or exceed the needs and requirements of global customers.

62, BANSAN 2-RO, MUNMAK-EUP, WONJU-SI,
GANGWON-DO, REPUBLIC OF KOREA
Customer Service Tel : +82 033-743-9200
Customer Fax : +82 033-743-9201
www.enib.co.kr