



ENIB Co., Ltd.

# GCA MANUAL VALVE

GENERAL CHEMICAL APPLICATION- PIPE CONNECTION TYPE

## OVERVIEW

GCA Manual valve is made only of fluoropolymer material and is designed to generate optimal performance in handling high-purity chemicals

## FEATURES

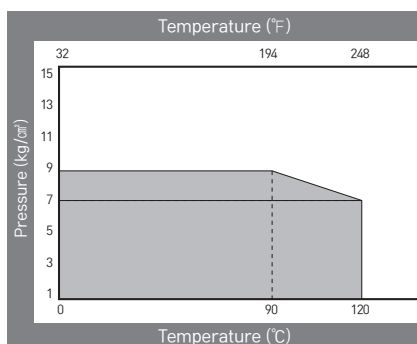
1. Made only of high-purity Fluoropolymer material and is designed to generate optimal performance in handling high-purity chemicals.
2. Bonnet is screwed onto the body (All-in-one assembly) to prevent valve deformation and improve airtightness.
3. The Bonnet Lock and fitting Nut Lock stabilize and prevent loosening of valve components adding additional safety.
4. Visually identifiable on and off indicator for precise valve operation

## TECHNICAL DATA

Actuator Type	Manual Handle Operation
Connection Type	ENIB Pipe Connection
Configuration	2-Way Flow / Orifice

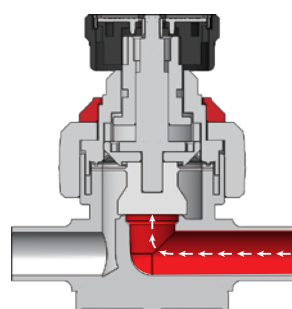
Model Number	Size	Orifice	Cv	Port Configuration
GMV-P-15	15A	16,4	5,3	15A Pipe Connection
GMV-P-20	20A	21	9	20A Pipe Connection
GMV-P-25	25A	26,6	14,6	25A Pipe Connection

Operating Temperature	Operating Pressure
0 ~ 90 °C	9kg/cm <sup>2</sup> (0.9Mpa)
90 ~ 120 °C	7kg/cm <sup>2</sup> (0.7Mpa)

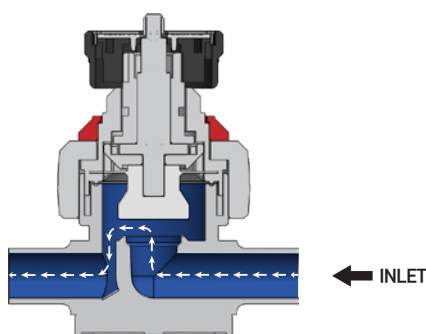


Standard Pipe Type Size  
15A, 20A, 25A

## 2-WAY FLOW PATTERNS

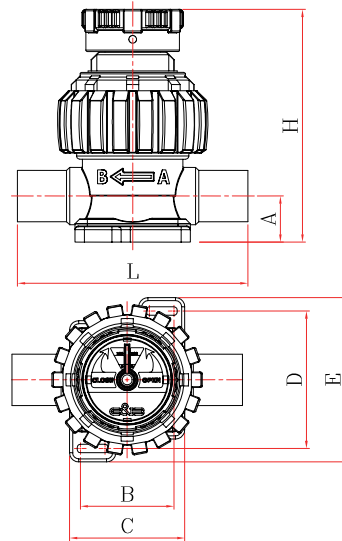
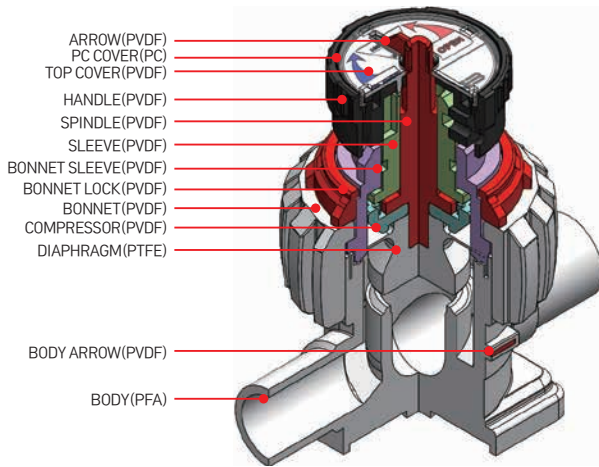


CLOSE



OPEN

## MATERIAL CONSTRUCTION & DIMENSION TABLE



Size	A	H	L	B	C	D	E
15A	1.18" (30mm)	5.28" (134mm)	5.35" (136mm)	1.73" (44mm)	2.24" (57mm)	2.56" (65mm)	3.15" (80mm)
20A	1.18" (30mm)	5.79" (147mm)	5.43" (138mm)	2.40" (61mm)	2.95" (75mm)	3.56" (90.5mm)	4.33" (110mm)
25A	1.18" (30mm)	5.96" (151.5mm)	5.91" (150mm)	2.40" (61mm)	2.95" (75mm)	3.52" (89.5mm)	4.21" (107mm)

## HOW TO ORDER

Type	CODE
GCA MANUAL VALVE	GMV

Connection	CODE
PIPE	P

SIZE	CODE
15A	15
20A	20
25A	25

Example : GMV-P-25

<b>GMV</b>	GCA MANUAL VALVE
<b>P</b>	PIPE
<b>25</b>	25A

## “ SMART VALUE OPERATION PRODUCT LINE UP ”

### ENIB (Extrusion & Injection, Basic Co., Ltd) Corporate Mission :

ENIB is to become a key provider of safe, high performance, and advanced technology device and components for fluid management systems and applications that meet or exceed the needs and requirements of global customers.

62, BANSAN 2-RO, MUNMAK-EUP, WONJU-SI,  
GANGWON-DO, REPUBLIC OF KOREA  
Customer Service Tel : +82 033-743-9200  
Customer Fax : +82 033-743-9201  
www.enib.co.kr