



ENIB Co., Ltd.

# VT MANUAL VALVE-ACA TYPE

VMB TEE VALVE – PIPE CONNECTION TYPE

## OVERVIEW

VT Manual valve is made only of fluoropolymer material and is designed to generate optimal performance in handling high-purity chemicals

## FEATURES

1. Bonnet is screwed onto the body (All-in-one assembly) to prevent valve deformation and improve airtightness.
2. In case of AMV type, Suitable for handling strong acid and for preventing discoloration of non-flow stream components from chemical fume. Key parts are made of PFA material- valve body, bonnet, and fitting nut
3. Bonnet Lock and fitting Nut Lock stabilize and prevent loosening of valve components adding additional safety
4. Visually identifiable on and off indicator for precise valve operation
5. Suitable for VMB systems



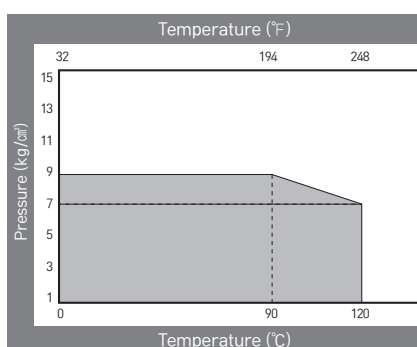
Standard Pipe Type Size  
20A

## TECHNICAL DATA

<b>Actuator Type</b>	Manual Handle Operation
<b>Connection Type</b>	ENIB Pipe Connection
<b>Configuration</b>	3-Way Flow / Orifice

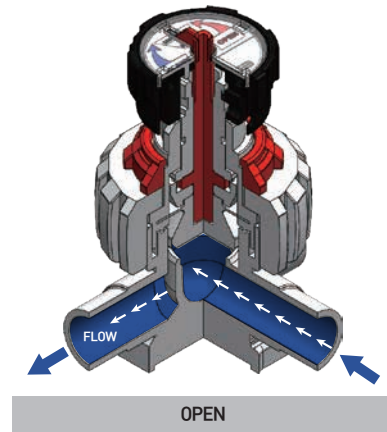
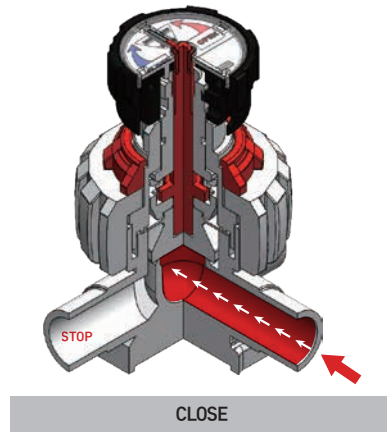
Model Number	Size	Orifice	Cv Max	Port Configuration
VT-AMV-P-20-INLET	20A	21	5.14	20A Pipe Connection
VT-AMV-P-20-HOOK-UP	20A	21	4.88	20A Pipe Connection
VT-AMV-P-20-SPARE	20A	21	5.14	20A Pipe Connection
VT-AMV-P-20-DRAIN	20A	21	5.31	20A Pipe Connection

Operating Temperature	Operating Pressure
0 ~ 90 °C	9kg/cm <sup>2</sup> (0.9Mpa)
90 ~ 120 °C	7kg/cm <sup>2</sup> (0.7Mpa)

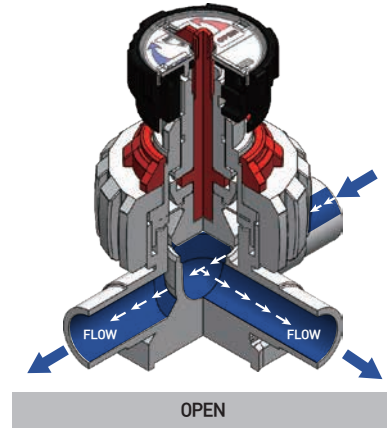
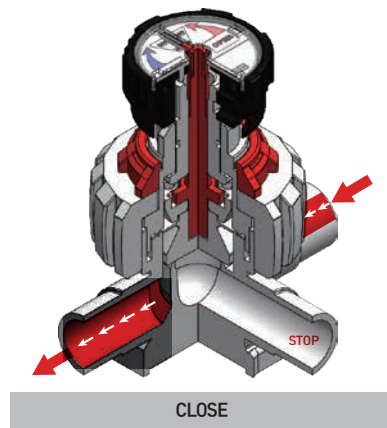


# 3-WAY FLOW PATTERNS

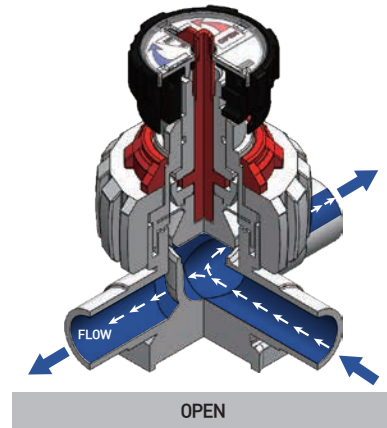
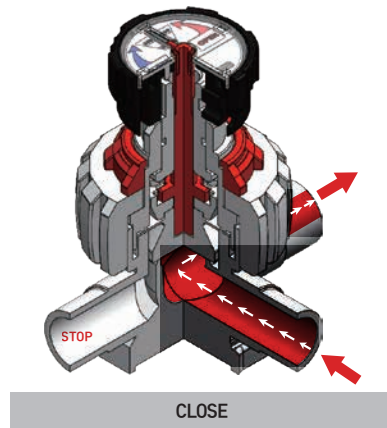
## INLET



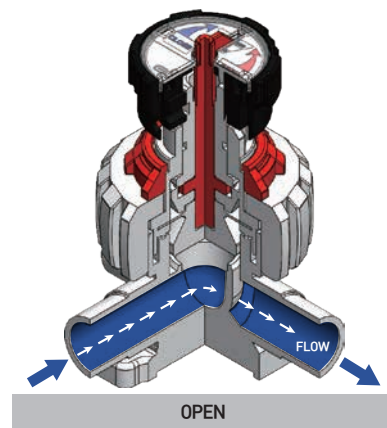
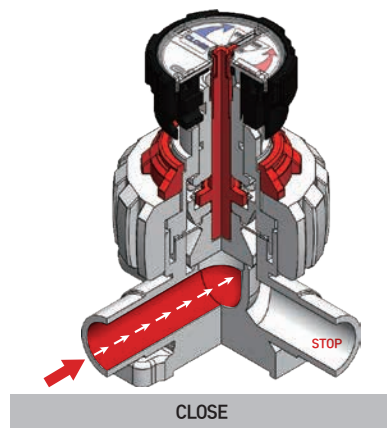
## HOOK-UP



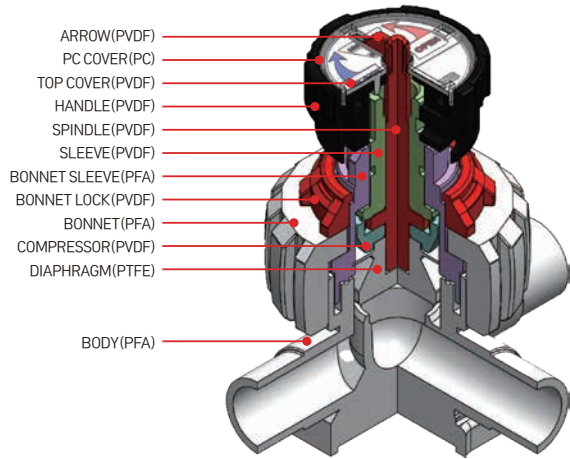
## SPARE



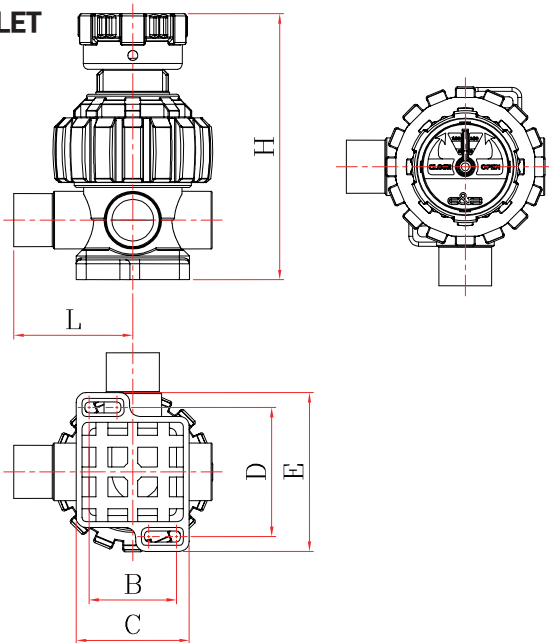
## DRAIN



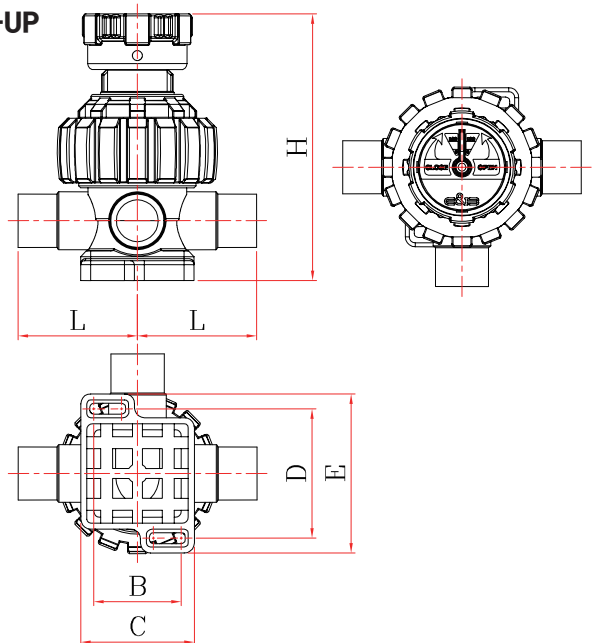
# MATERIAL CONSTRUCTION & DIMENSION TABLE



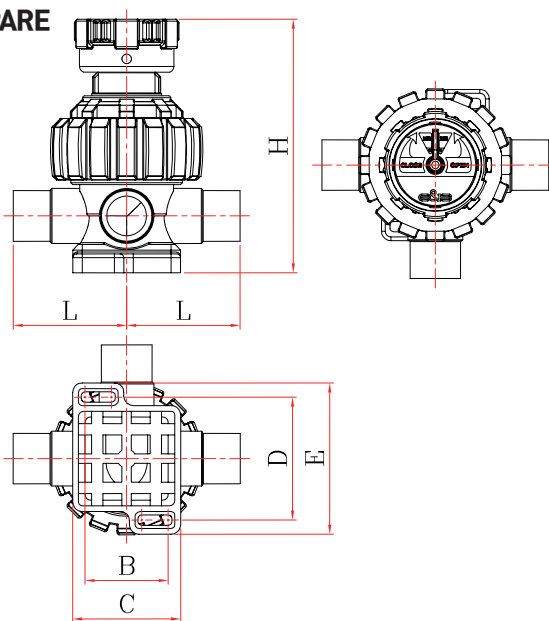
## INLET



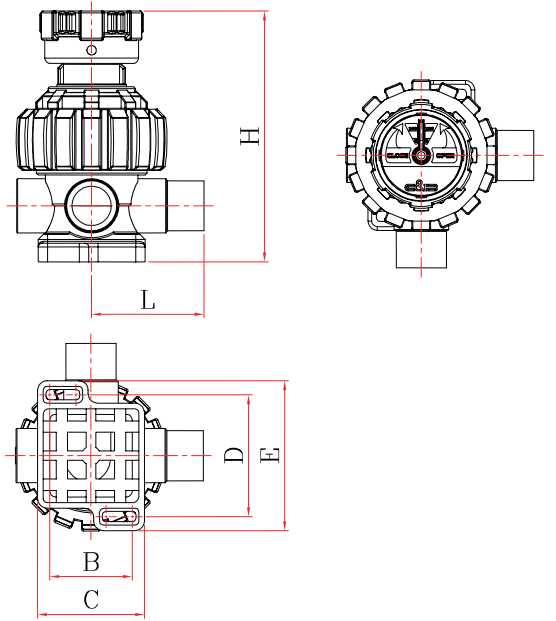
## HOOK-UP



## SPARE



## DRAIN



Size	FLOW DIRECTION	A	H	L	B	C	D	E
20A	INLET	1.18"(30mm)	5.28"(134mm)	2.36"(60mm)	1.73"(44mm)	2.24"(57mm)	2.56"(65mm)	3.15"(80mm)
	HOOK-UP	1.18"(30mm)	5.28"(134mm)	2.36"(60mm)	1.73"(44mm)	2.24"(57mm)	2.56"(65mm)	3.15"(80mm)
	SPARE	1.18"(30mm)	5.28"(134mm)	2.36"(60mm)	1.73"(44mm)	2.24"(57mm)	2.56"(65mm)	3.15"(80mm)
	DRAIN	1.18"(30mm)	5.28"(134mm)	2.36"(60mm)	1.73"(44mm)	2.24"(57mm)	2.56"(65mm)	3.15"(80mm)

## HOW TO ORDER

Product Name	CODE
--------------	------

VT VALVE	VT
----------	----

Type	CODE
------	------

ACA MANUAL VALVE	AMV
------------------	-----

Connection	CODE
------------	------

PIPE	P
------	---

SIZE	CODE
------	------

20A	20
-----	----

Flow Direction	CODE
----------------	------

INLET	INLET
HOOK-UP	HOOK-UP
SPARE	SPARE
DRAIN	DRAIN

Example : VT-AMV-P-20-INLET

VT	VT VALVE
AMV	ACA MANUAL VALVE TYPE
P	PIPE
20	20A
INLET	INLET

## “ SMART VALUE OPERATION PRODUCT LINE UP ”

### ENIB (Extrusion & Injection, Basic Co., Ltd) Corporate Mission :

ENIB is to become a key provider of safe, high performance, and advanced technology device and components for fluid management systems and applications that meet or exceed the needs and requirements of global customers.

62, BANSAN 2-RO, MUNMAK-EUP, WONJU-SI,  
GANGWON-DO, REPUBLIC OF KOREA  
Customer Service Tel : +82 033-743-9200  
Customer Fax : +82 033-743-9201  
www.enib.co.kr