



ENIB Co., Ltd.

WEIR TYPE PNEUMATIC VALVE

OVERVIEW

WT 밸브는 불소수지만을 사용하여 제작되었으며, Slurry의 약액 이송 배관에 최적화하여 설계된 제품입니다.

WT pneumatic valve is made only of fluoropolymer material and is designed to generate optimal performance in handling slurry chemicals.

FEATURES

1. 고순도의 불소수지 재질로만 제작된 밸브이며, Chemical 적용시 오염 및 부식이 발생하지 않는다.
2. Valve의 변형방지 및 기밀 향상을 위해 Bonnet 구조의 일체조립으로 접점기밀 유지
3. 안전장치인 Bonnet Lock, Nut Lock 구성 / 임의의 풀림 방지

1. Made only of high-purity Fluoropolymer material and is designed to generate optimal performance in handling high-purity chemicals.
2. Bonnet is screwed onto the body (All-in-one assembly) to prevent valve deformation and improve airtightness.
3. The Bonnet Lock and fitting Nut Lock stabilize and prevent loosening of valve components adding additional safety.

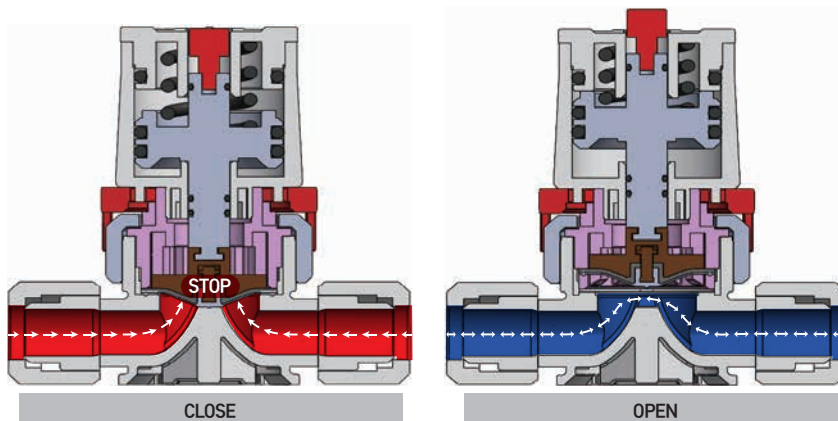


TECHNICAL DATA

Actuator Type	Pneumatic Air Operation
Connection Type	ENIB Flare Connection
Configuration	2-Way Flow / Weir
Air Port	1/8"PT(Female) / 6.0 ~ 7.0kg/cm ² (86 ~ 100psi)
"Operating Temps & Max. Operating Pressure"	0 ~ 60°C ⇒ 7kg/cm ² (0.7Mpa)
	60 ~ 90°C ⇒ 5kg/cm ² (0.5Mpa)
	90 ~ 120°C ⇒ 3kg/cm ² (0.3Mpa)

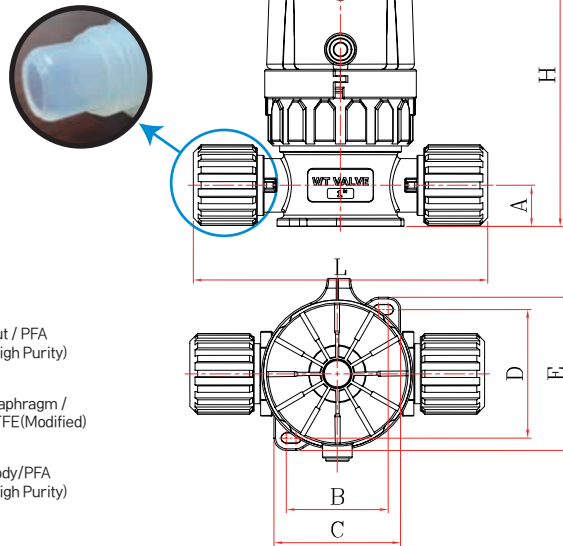
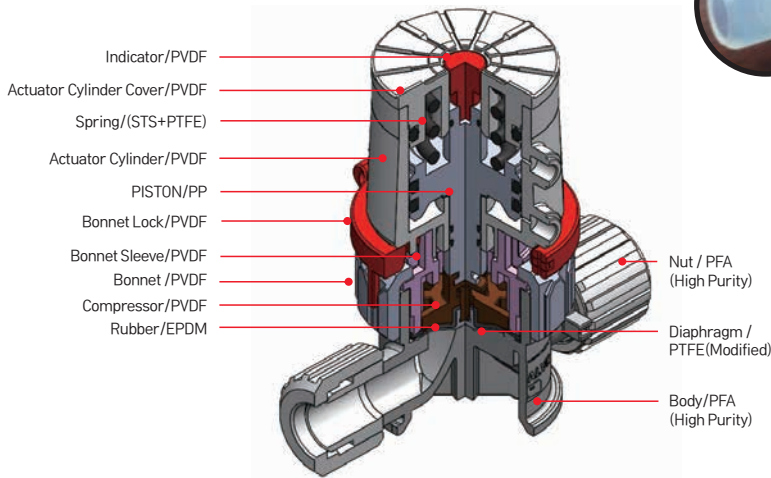
Cv Data	Size	CV
	1/4"	0.39
	3/8"	1.06
	1/2"	2.36
	3/4"	4.84
	1"	10.1

2-WAY FLOW PATTERNS



MATERIAL CONSTRUCTION

Body	High Purity PFA
Diaphragm	Modified PTFE
Other Part	PVDF



Size	A	H	L	B	C	D	E
1/4"	0.53"(13.6mm)	4.68"(119mm)	4.48"(114mm)	1.53"(39mm)	1.98"(50.5mm)	1.98"(50.5mm)	2.55"(65mm)
3/8"	0.53"(13.6mm)	4.68"(119mm)	4.56"(116mm)	1.53"(39mm)	1.98"(50.5mm)	1.98"(50.5mm)	2.55"(65mm)
1/2"	0.63"(16mm)	5.88"(149.5mm)	5.23"(133mm)	1.81"(46mm)	2.28"(58mm)	2.44"(62mm)	3.03"(77mm)
3/4"	0.74"(19mm)	6.00"(152.5mm)	5.39"(137mm)	1.81"(46mm)	2.28"(58mm)	2.44"(62mm)	3.03"(77mm)
1"	0.98"(25mm)	7.24"(184mm)	7.08"(180mm)	2.44"(62mm)	3.03"(77mm)	3.07"(78mm)	3.66"(93mm)

HOW TO ORDER

Type	CODE
WEIR TYPE PNEUMATIC VALVE - GCA TYPE	WT-GPV
Connection	CODE
FLARE / FINE THREAD	FF
Actuator Position	CODE
()	FRONT
90D	90°

Example : WT - GPV - FF - 16 - 90D

WT-GPV	Weir Type Pneumatic Valve - GCA Type
FF	Flare / Fine Thread
16	1"
90D	90°

“ SMART VALUE OPERATION PRODUCT LINE UP ”

ENIB(Extrusion & Injection, Basic Co., Ltd) Corporate Mission :

ENIB is to become a key provider of safe, high performance, and advanced technology device and components for fluid management systems and applications that meet or exceed the needs and requirements of global customers.

62, Bansan 2-ro, Munmak-eup, Wonju-si,
Gangwon-do, Republic of Korea
Customer Service Tel : +82. 033. 743. 9200
Customer Fax : +82. 033. 743. 9201
www.enib.co.kr